

# MANDÍK<sup>®</sup>

## SQUARE TIGHT REGULATION DAMPER

### RKTM



These technical conditions define the range of produced dimensions and versions of "TIGHT REGULATION DAMPERS RKTM"("dampers"). These technical conditions apply to the manufacture, design, ordering, assembly, operation and maintenance.

**I. CONTENT**

<b>II. GENERAL</b>	<b>2</b>
1. Description.....	2
2. Design.....	2
3. Dimensions and weights.....	3
4. Placement and installation.....	5
<b>III. TECHNICAL DATA</b>	<b>6</b>
5. Basic parametr.....	6
6. Electrical elements, wiring diagram.....	6
7. Pressure lost, flow characteristic.....	12
8. Noise data.....	13
<b>IV. ORDERING INFORMATION</b>	<b>13</b>
9. Ordering key.....	13
<b>V. MATERIAL, FINISHING</b>	<b>14</b>
10. Material.....	14
<b>VI. INSPECTION, TESTING</b>	<b>14</b>
11. Inspection.....	14
12. Testing.....	14
<b>VII. PACKING, TRANSPORT AND STORAGE</b>	<b>14</b>
13. Logistical data.....	14
<b>VIII. ASSEMBLY</b>	<b>14</b>
14. Assembly.....	14

## II. GENERAL

### 1. Description

- 1.1. The dampers consist of a frame, blades fitted with air seal at the perimeter, and a control actuator. They are used to shut off the duct or to control the air flow by choking the flow.
- 1.2. Tightness in accordance with EN 1751 across the body: class C and across the blade: for dampers to 0,3 m<sup>2</sup> class 2, for dampers over 0,3 m<sup>2</sup> and min. 6 blades class 3.
- 1.3. The dampers are destined for maximal velocity of air flow 12 m.s<sup>-1</sup>.
- 1.4. The dampers are intended for environment protected against weather impacts with the classification of climatic conditions class 3K5, without condensation, frost, ice formation, and without water even from other sources than rain according to EN 60 72133, change A2, with temperature range from -20°C to +80°C.
- If the electrical elements are mounted on the damper, temperature range is narrowed by the electrical elements.
- 1.5. If is not noticed other way, all dimensions and weight are in millimeters and kilograms.

### 2. Design

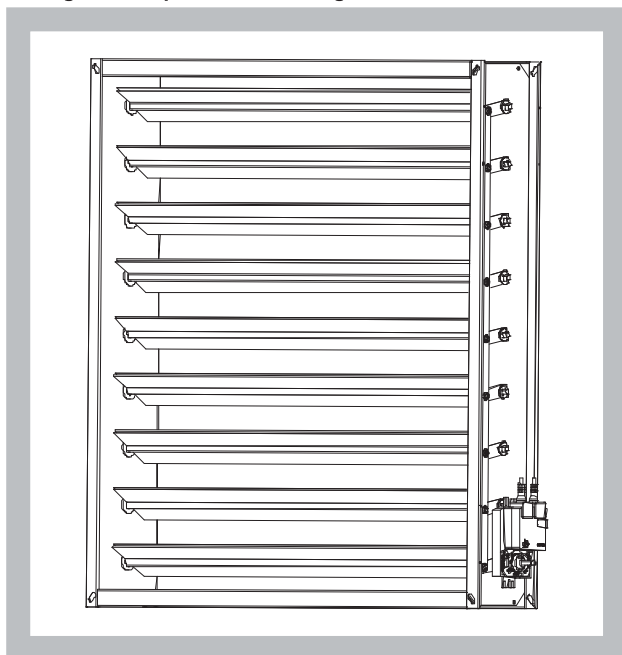
- 2.1. Versions of dampers are shown in the table Tab. 2.1.1. The version is designated by two digits following the TP mark.

Tab. 2.1.1. Version of damper

Version of damper - type of control	Two digits following the TP mark
Manually controlled	.01
to fit actuator drive	.09
Actuator with emergency function 230V	.43*
Actuator controlled 230V, two point regulation without position signal	.45
Actuator controlled 230V, two point regulation with position signal	.46
Actuator with emergency function 230V with position signal	.48*
Actuator with emergency function 24V	.53*
Actuator controlled 24V, two point regulation without position signal	.55
Actuator controlled 24V, two point regulation with position signal	.56
Actuator controlled 24V SR with smooth regulation	.57
Actuator with emergency function 24V with position signal	.58*

\* design is available on request, is necessary to specify the position of the damper blade (open or closed) without voltage.

Fig. 1 damper with actuating mechanism



### 3. Dimensions and weights

#### 3.1. Dimensions, range of dimensions, airflow (effective) area

Tab. 3.1.1. Dimensions, range of dimensions, weight, airflow (effective) area

A x B	Number of blades	S <sub>ef</sub> [m <sup>2</sup> ]	Weight [kg]	A x B	Number of blades	S <sub>ef</sub> [m <sup>2</sup> ]	Weight [kg]
200 x 200	2	0,036	3,0	400 x 1000	10	0,360	14,4
250	2	0,036	3,5	500 x 200	2	0,090	5,4
315	3	0,054	4,1	250	2	0,090	6,4
400	4	0,072	4,7	315	3	0,135	7,1
500	5	0,090	5,6	400	4	0,180	8,2
250 x 200	2	0,045	3,4	500	5	0,225	9,5
250	2	0,045	4,0	630	6	0,270	11,4
315	3	0,068	4,6	800	8	0,360	13,8
400	4	0,090	5,3	1000	10	0,450	16,5
500	5	0,113	6,2	1250	12	0,540	20,0
630	6	0,135	7,5	630 x 200	2	0,113	6,4
315 x 200	2	0,057	3,9	250	2	0,113	7,5
250	2	0,057	4,6	315	3	0,170	8,4
315	3	0,085	5,2	400	4	0,227	9,5
400	4	0,113	6,0	500	5	0,284	11,1
500	5	0,142	7,1	630	6	0,340	13,4
630	6	0,170	8,5	800	8	0,454	16,1
800	8	0,227	10,5	1000	10	0,567	19,3
400 x 200	2	0,072	4,6	1250	12	0,680	23,5
250	2	0,072	5,4	1400	14	0,794	26,0
315	3	0,108	6,1	800 x 200	2	0,144	8,4
400	4	0,144	7,0	250	2	0,144	9,5
500	5	0,180	8,1	315	3	0,216	10,5
630	6	0,216	9,8	400	4	0,288	11,8
800	8	0,288	12,0	500	5	0,360	13,6

A x B	Number of blades	S <sub>ef</sub> [m <sup>2</sup> ]	Weight [kg]	A x B	Number of blades	S <sub>ef</sub> [m <sup>2</sup> ]	Weight [kg]
800 x 630	6	0,432	16,5	1400 x 630	6	0,734	29,0
800	8	0,576	19,5	800	8	0,965	34,0
1000	10	0,720	23,0	1000	10	1,224	40,0
1250	12	0,864	28,0	1250	12	1,469	48,5
1400	14	1,008	31,0	1400	14	1,714	53,0
1600	16	1,152	34,5	1600	16	1,958	59,5
1000 x 200	2	0,180	10,0	1600 x 630	6	0,842	32,0
250	2	0,180	11,3	800	8	1,123	37,5
315	3	0,270	12,6	1000	10	1,404	44,5
400	4	0,360	14,1	1250	12	1,685	54,5
500	5	0,450	16,2	1400	14	1,966	59,5
630	6	0,540	19,5	1600	16	2,246	66,0
800	8	0,720	23,0	1800 x 630	6	0,950	35,0
1000	10	0,900	27,0	800	8	1,267	41,0
1250	12	1,080	32,0	1000	10	1,584	48,5
1400	14	1,260	36,5	1250	12	1,901	59,0
1600	16	1,440	41,0	1400	14	2,218	64,5
1250 x 400	4	0,450	16,8	1600	16	2,534	72,0
500	5	0,563	19,5	2000 x 800	8	1,411	44,5
630	6	0,675	23,5	1000	10	1,764	53,0
800	8	0,900	27,5	1250	12	2,117	64,0
1000	10	1,125	32,0	1400	14	2,470	70,0
1250	12	1,350	39,0	1600	16	2,822	78,0
1400	14	1,575	43,5				
1600	16	1,800	49,0				
1400 x 500	5	0,612	24,0				

S<sub>ef</sub> - effective area for fully opened damper.

The weights listed in the table are valid for the basic version (manually controlled). The weight of the servo actuator must be added to all other versions – see table 6.1.1.

Atypical dimensions of the damper must be discussed with the manufacturer in advance.

Fig. 2 Manually controlled damper without divider (for A < 1300) without reinforcing bolt (for B < 1200)

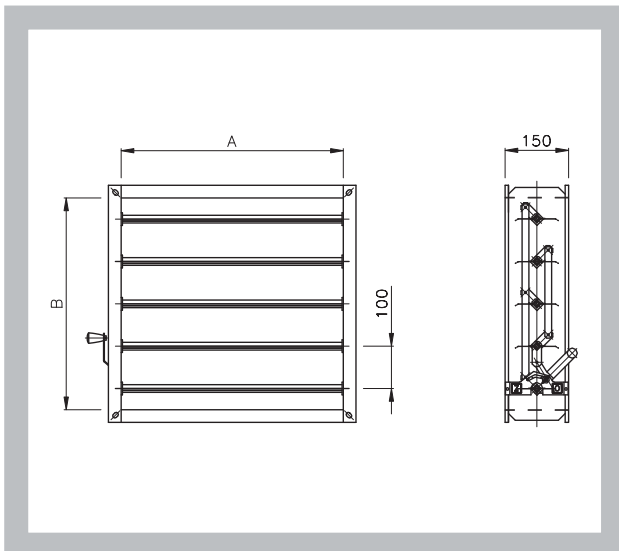
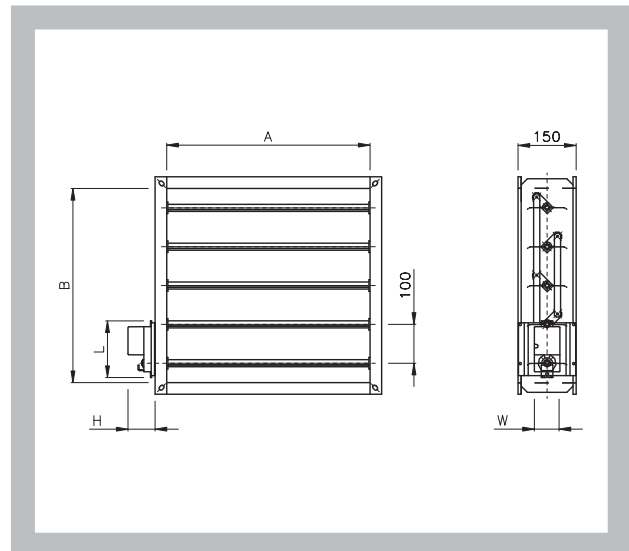
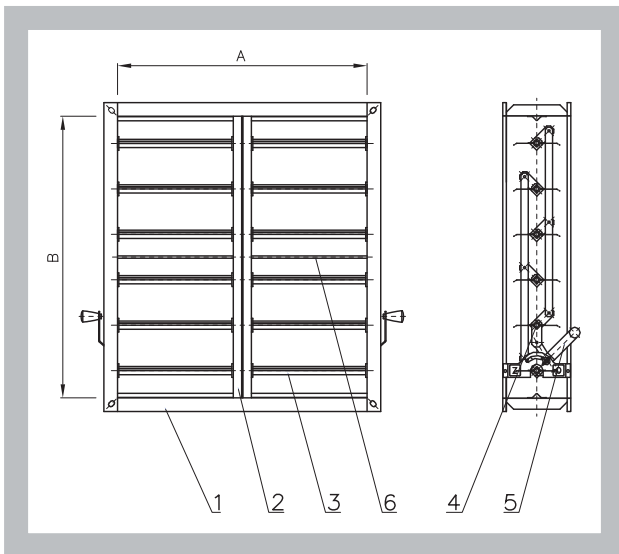


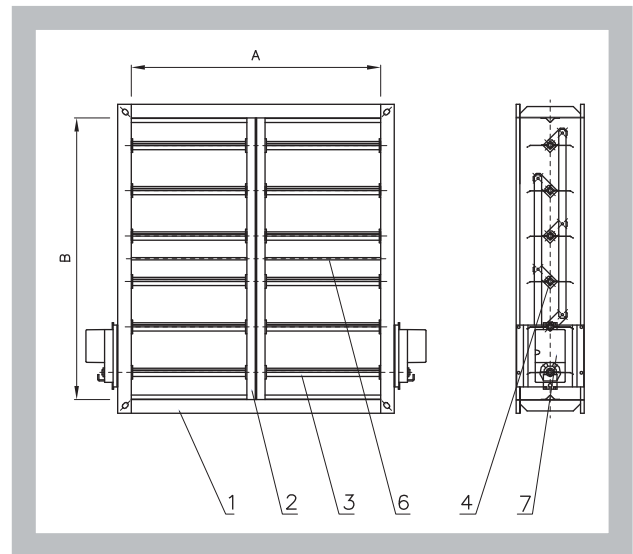
Fig. 3 Actuator controlled damper without divider (for A < 1300) without reinforcing bolt (for B < 1200)



**Fig. 4 Manually controlled damper with divider (for  $A \geq 1300$ ) with reinforcing bolt (for  $B \geq 1200$ )**



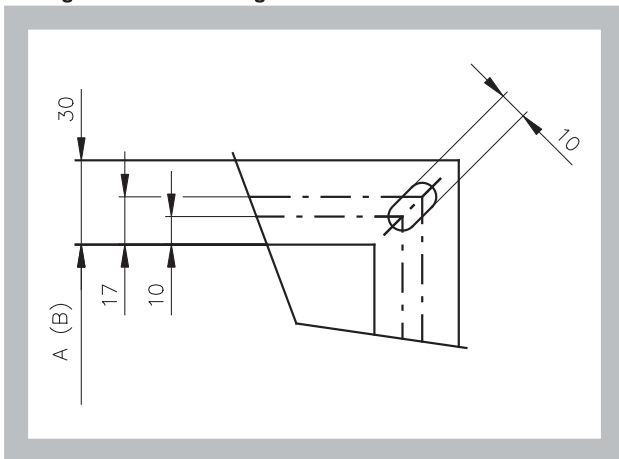
**Fig. 5 Actuator controlled damper with divider (for  $A \geq 1300$ ) with reinforcing bolt (for  $B \geq 1200$ )**



**Item:**

- |  |  |                   |
|--|--|-------------------|
| 1. body of damper                                  | 4. control actuator  | 7. servo actuator |
| 2. divider (only for dampers where $A \geq 1300$ ) | 5. control rod   |                   |
| 3. blade   | 6. reinforcing bolt (only for damper where $B \geq 1200$ ) |                   |

**Fig. 6 Detail of flange**



**3.2.** Atypical dimensions regulating valve must first be discussed with the manufacturer.

**3.3.** Dampers to install servo drive unit are provided square-shaped pin of cross-section 8x8 mm, which the servo drive unit is fitted on directly or using a reducer. The pin is overlapping the damper flange by 60 mm.

**4. Placement and installation**

**4.1.** The dampers are designed to be installed into the air duct. The flaps can be used in any orientation.

**4.2.** The actuator requires a 250 mm clearance (minimum).

### III. TECHNICAL DATA

#### 5. Basic parameters

##### 5.1. Maximum pressure difference on control flaps

Tab. 5.1.1. Maximum pressure difference

Maximum pressure difference $\Delta p$ [Pa]											
A/B	200	250	315	400	500	630	800	1000	1250	1400	1600
200	1500	1500	1500	1500	1500	x	x	x	x	x	x
250	1500	1500	1500	1500	1500	1500	x	x	x	x	x
315	1500	1500	1500	1500	1500	1500	1500	x	x	x	x
400	1500	1500	1500	1500	1500	1500	1500	1500	x	x	x
500	1500	1500	1500	1500	1500	1500	1500	1500	1500	x	x
630	1500	1500	1500	1500	1500	1500	1500	1500	1500	1200	x
800	1500	1500	1500	1500	1500	1500	1500	1500	1500	1200	1200
1000	1500	1500	1500	1500	1500	1500	1500	1500	1500	1200	1200
1250	x	x	x	1200	1200	1200	1200	1200	1200	1200	1200
1400	x	x	x	x	1200	1200	1200	1200	1200	1200	1200
1600	x	x	x	x	x	1200	1200	1200	1200	1200	1200
1800	x	x	x	x	x	1200	1200	1200	1200	1200	1200
2000	x	x	x	x	x	x	1200	1200	1200	1200	1200

#### 6. Electrical elements, wiring diagram

##### 6.1. Types and weights of servo actuators for control of dampers

Tab. 6.1.1. Type of actuator for individually dampers

Type of servo actuator	Position signal	Emergency functions	Torque	Weight of actuator [kg]	Dimensions L x H x W
Belimo NM 230A-S (.46)	YES	NO	10 Nm	0,85	124 x 62 x 80
Belimo NM 230A (.45)	NO	NO		0,8	
Belimo NM 24A-S (.56)	YES	NO		0,85	
Belimo NM 24A (.55)	NO	NO		0,75	
Belimo NM 24A-SR (.57)	YES	NO		0,8	
Belimo SM 230A-S (.46)	YES	NO	20 Nm	1,1	139 x 64 x 88
Belimo SM 230A (.45)	NO	NO		1,05	
Belimo SM 24A-S (.56)	YES	NO		1,05	
Belimo SM 24A (.55)	NO	NO		1	
Belimo SM 24A-SR (.57)	YES	NO		1,05	
Belimo GM 230A-S (.46)	YES	NO	40 Nm	1,8	179 x 70 x 116
Belimo GM 230A (.45)	NO	NO		1,7	
Belimo GM 24A-S (.56)	YES	NO		1,8	
Belimo GM 24A (.55)	NO	NO		1,7	
Belimo GM 24A-SR (.57)	YES	NO		1,7	
Belimo LF 230A (.43)	NO	YES	5 Nm	1,7	130 x 82 x 98
Belimo LF 230A-S (.48)	YES	YES		1,8	
Belimo LF 24A (.53)	NO	YES		1,5	
Belimo LF 24A-S (.58)	YES	YES		1,6	
Belimo NFA (.43)	NO	YES	10 Nm	1,8	182 x 93 x 98
Belimo NFA-S2 (.48)	YES	YES		1,9	
Belimo NF 24A (.53)	NO	YES		2,1	
Belimo NF 24A-S2 (.58)	YES	YES		2,3	
Belimo SFA (.43)	NO	YES	20 Nm	1,7	182 x 93 x 98
Belimo SFA-S2 (.48)	YES	YES		2	
Belimo SF 24A (.53)	NO	YES		2,3	
Belimo SF 24A-S2 (.58)	YES	YES		2,4	

Tab. 6.1.2. The type and number of actuators for damper size - standard servo / actuator with emergency function

RKTM		A													
		200	250	315	400	500	630	800	1000	1250	1400	1600	1800	2000	
B	200	NM/LF	NM/LF	NM/LF	NM/LF	NM/NF	NM/NF	NM/NF	NM/NF	NM/NF	x	x	x	x	x
	250	NM/LF	NM/LF	NM/LF	NM/LF	NM/NF	NM/NF	NM/NF	NM/NF	NM/NF	x	x	x	x	x
	315	NM/LF	NM/LF	NM/LF	NM/LF	NM/NF	NM/NF	SM/SF	SM/SF	SM/SF	x	x	x	x	x
	400	NM/NF	NM/NF	NM/NF	NM/NF	NM/NF	SM/SF	SM/SF	SM/SF	SM/SF	SM/SF	x	x	x	x
	500	SM/SF	SM/SF	SM/SF	SM/SF	SM/SF	SM/SF	SM/SF	SM/SF	SM/SF	SM/SF	2xSM/ 2xSF	x	x	x
	630	SM/SF	SM/SF	SM/SF	SM/SF	SM/SF	SM/SF	SM/SF	SM/SF	SM/SF	SM/SF	2xSM/ 2xSF	2xSM/ 2xSF	2xSM/ 2xSF	x
	800	SM/SF	SM/SF	SM/SF	SM/SF	SM/SF	SM/SF	SM/SF	SM/SF	GM/SF	GM/SF	2xSM/ 2xSF	2xSM/ 2xSF	2xSM/ 2xSF	2xSM/ 2xSF
	1000	SM/SF	SM/SF	SM/SF	SM/SF	SM/SF	SM/SF	GM/ 2xSF	GM/ 2xSF	GM/ 2xSF	GM/ 2xSF	2xSM/ 2xSF	2xGM/ 4xSF	2xGM/ 4xSF	2xGM/ 4xSF
	1250	x	x	x	x	GM/ 2xSF	GM/ 2xSF	GM/ 2xSF	GM/ 2xSF	GM/ 2xSF	GM/ 2xSF	2xGM/ 4xSF	2xGM/ 4xSF	2xGM/ 4xSF	2xGM/ 4xSF
	1400	x	x	x	x	x	GM/ 2xSF	GM/ 2xSF	GM/ 2xSF	GM/ 2xSF	GM/ 2xSF	2xGM/ 4xSF	2xGM/ 4xSF	2xGM/ 4xSF	2xGM/ 4xSF
	1600	x	x	x	x	x	x	GM/ 2xSF	GM/ 2xSF	GM/ 2xSF	GM/ 2xSF	2xGM/ 4xSF	2xGM/ 4xSF	2xGM/ 4xSF	2xGM/ 4xSF
	1800	x	x	x	x	x	x	2xSM/ 2xSF	2xSM/ 2xSF	2xSM/ 2xSF	2xSM/ 2xSF	4xSM/ 4xSF	4xSM/ 4xSF	4xSM/ 4xSF	4xSM/ 4xSF
2000	x	x	x	x	x	x	2xSM/ 2xSF	2xSM/ 2xSF	2xSM/ 2xSF	2xSM/ 2xSF	4xSM/ 4xSF	4xSM/ 4xSF	4xSM/ 4xSF	4xSM/ 4xSF	

6.2. Supply voltage and power inputs.

Tab. 6.2.1. Supply voltage and power input

Type of actuator	Supply voltage	Power input		
		In operation	Resting position	Dimensioning
NM 230A-F, NM 230A-S	AC 100 ... 240 V, 50/60 Hz	2,5 W	0,6 W	6 VA
NM 24A-F, NM 24A-S	AC 24 V, 50/60 Hz; DC 24 V	1,5 W	0,2 W	3,5 VA
NM 24A-SR	AC 24 V, 50/60 Hz; DC 24 V	2 W	0,4 W	4 VA
SM 230A, SM 230A-S	AC 100 ... 240 V, 50/60 Hz	2,5 W	0,6 W	6 VA
SM 24A, SM 24A-S	AC 24 V, 50/60 Hz; DC 24 V	2 W	0,2 W	4 VA
SM 24A-SR	AC 24 V, 50/60 Hz; DC 24 V	2 W	0,4 W	4 VA
GM 230A, GM 230A-S	AC 85 ... 264 V, 50/60 Hz	5 W	2,5 W	9 VA
GM 24A, GM 24A-S	AC 24 V, 50/60 Hz; DC 24 V	4 W	2 W	6 VA
GM 24A-SR	AC 24 V, 50/60 Hz; DC 24 V	4,5 W	2 W	6,5 VA
LF 230, LF 230-S	AC 198 ... 264 V, 50/60 Hz	5 W	3 W	7 VA
LF 24, LF 24-S	AC 24 V, 50/60 Hz; DC 24 V	5 W	2,5 W	7 VA
NFA, NFA-S2	AC 24 ... 240 V, 50/60 Hz / DC 24 ... 125 V	6 W	2,5 W	9,5 VA
NF 24A, NF 24A-S2	AC 24 V, 50/60 Hz; DC 24 V	6 W	2,5 W	8,5 VA
SFA, SFA-S2	AC 24 ... 240 V, 50/60 Hz / DC 24 ... 125 V	7 W	3,5 W	18 VA
SF 24A, SF 24A-S2	AC 24 V, 50/60 Hz; DC 24 V	5 W	2,5 W	7,5 VA



6.3. Wiring diagram of servo actuators Belimo

Fig. 7 Wiring diagram of servo actuators Belimo NM 230A, SM 230A and GM 230A

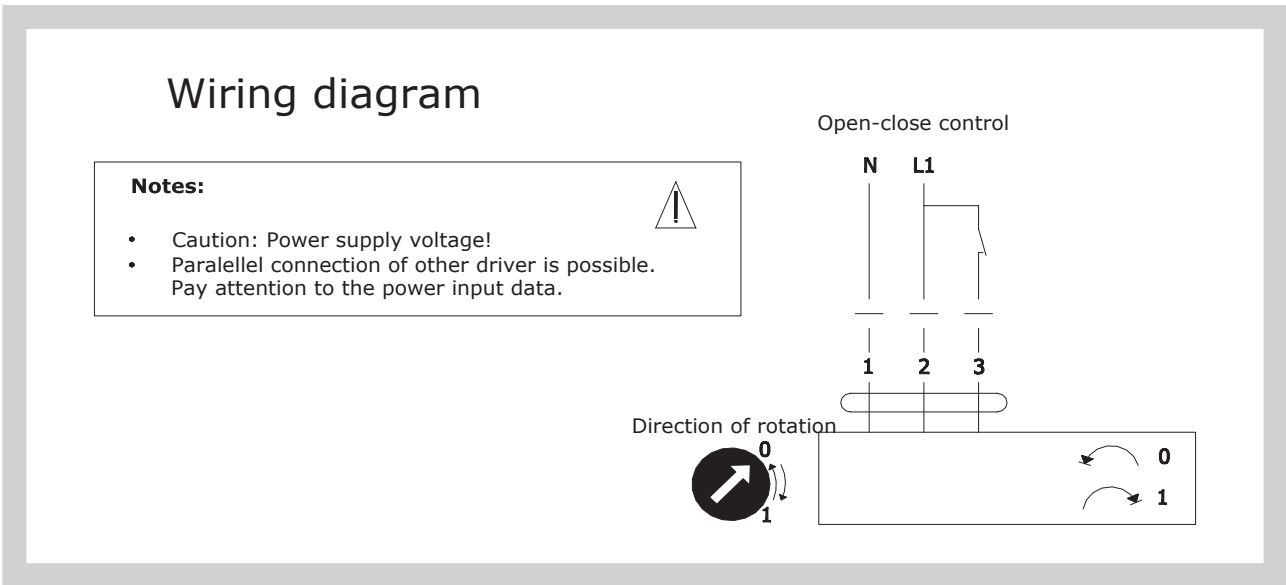


Fig. 8 Wiring diagram of servo actuators Belimo NM 24A, SM 24A and GM 24A

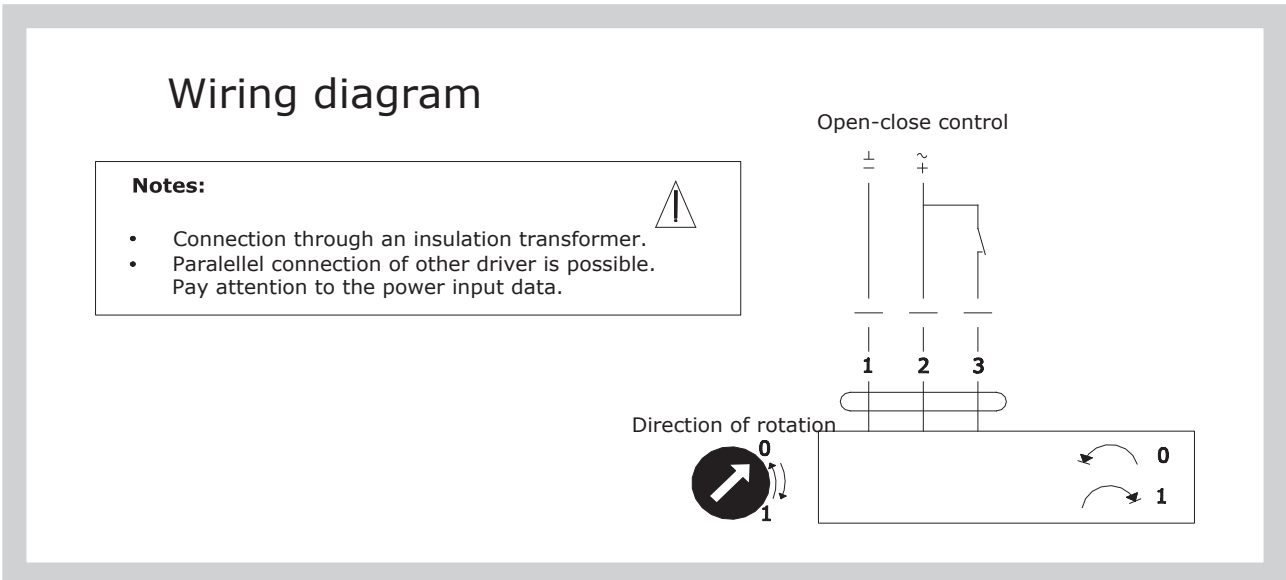


Fig. 9 Wiring diagram of servo actuators Belimo NM 24A-SR, SM 24A-SR and GM 24A-SR

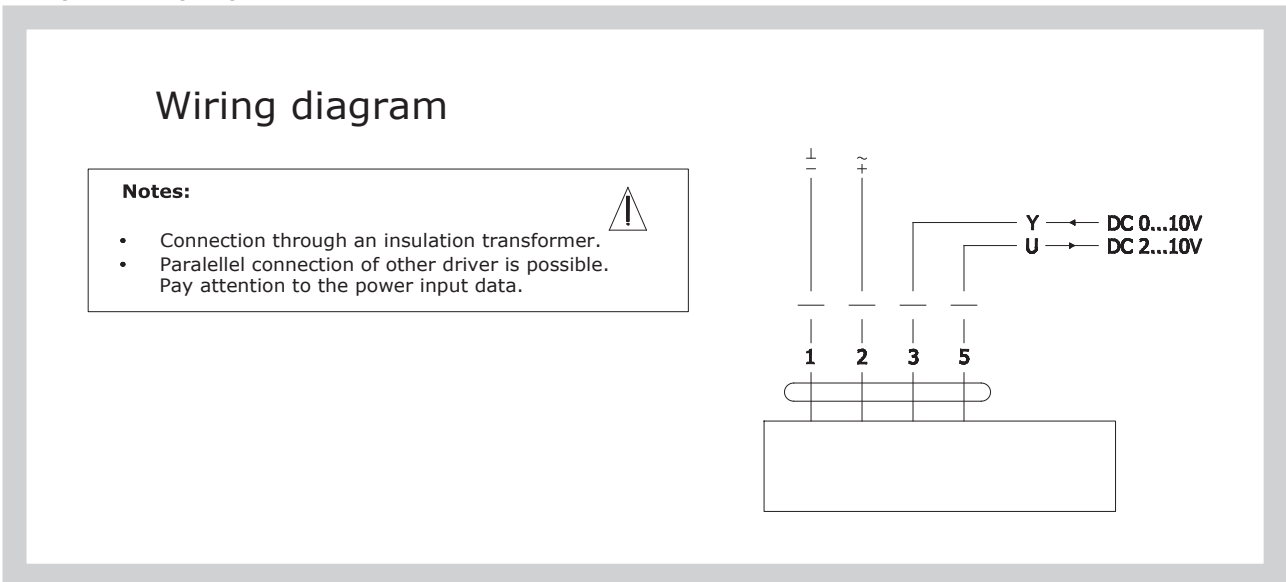


Fig. 10 Wiring diagram of servo actuators Belimo NM 230A-S, SM 230A-S and GM 230A-S

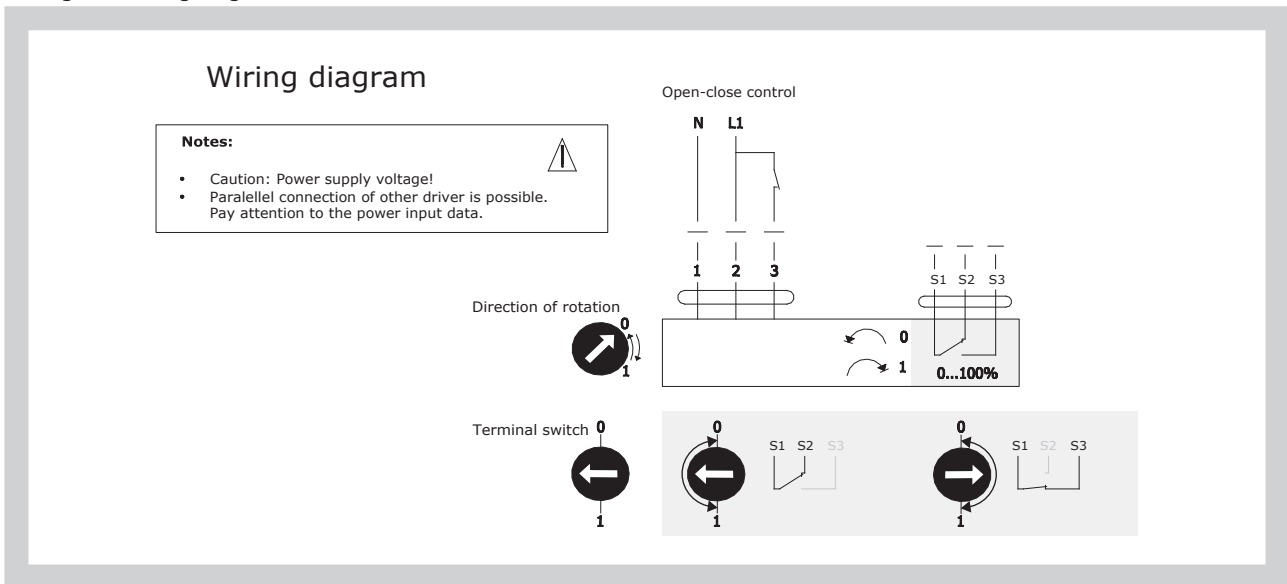


Fig. 11 Wiring diagram of servo actuators Belimo NM 24A-S, SM 24A-S and GM 24A-S

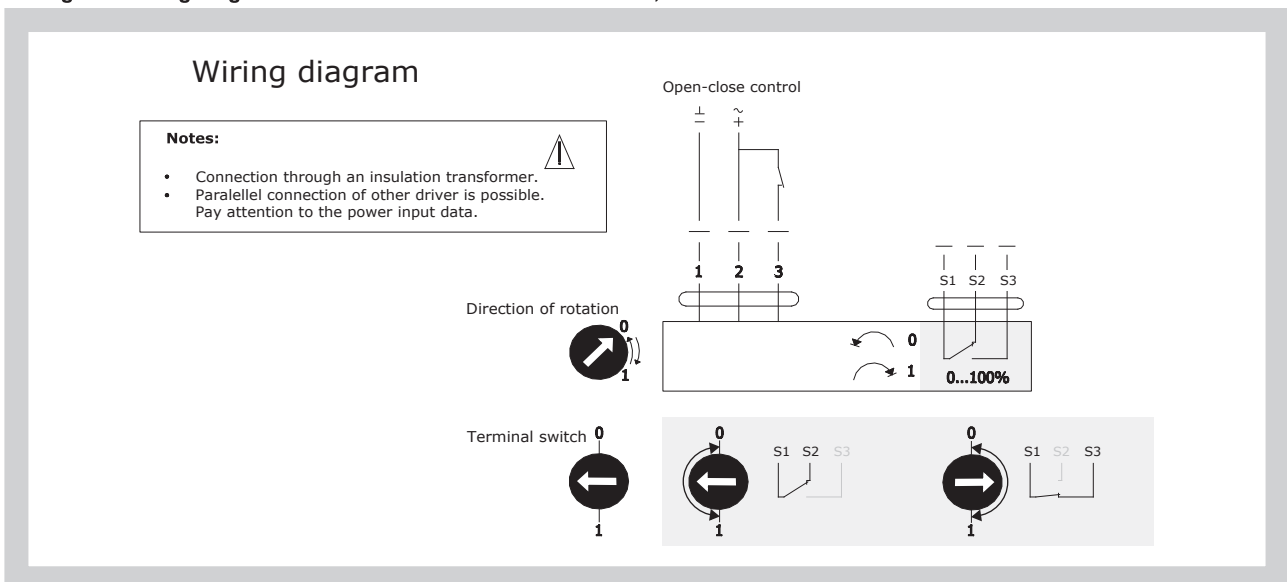


Fig. 12 Wiring diagram of servo actuators Belimo LF 24, NF 24A, SF 24A

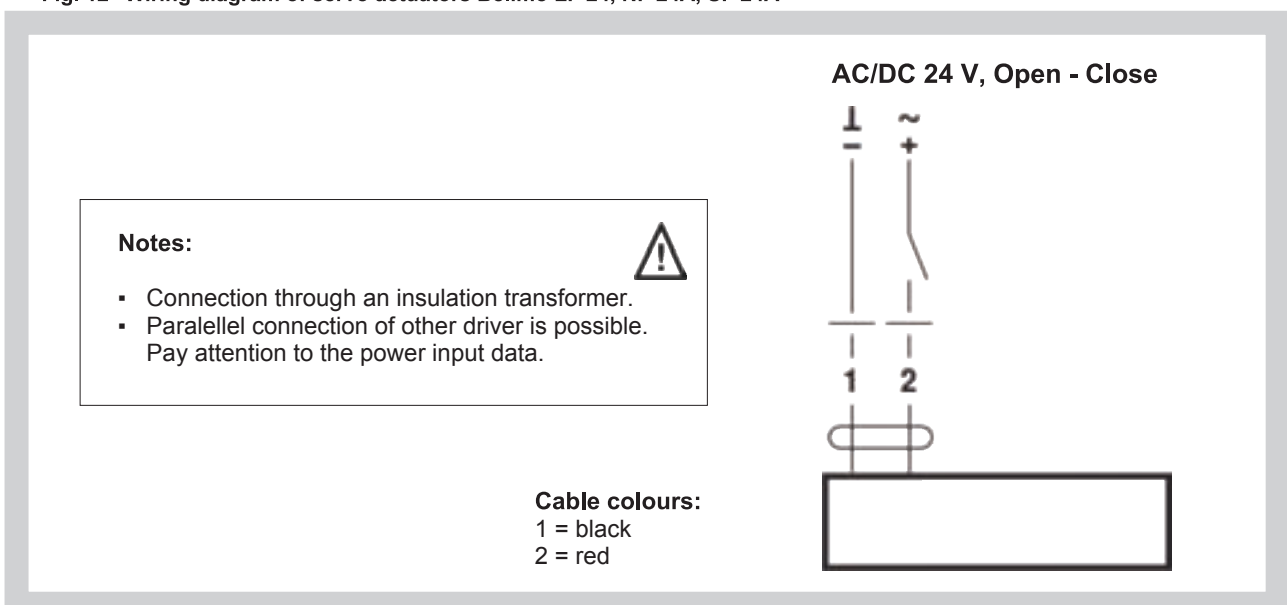


Fig. 13 Wiring diagram of servo actuators Belimo LF 230

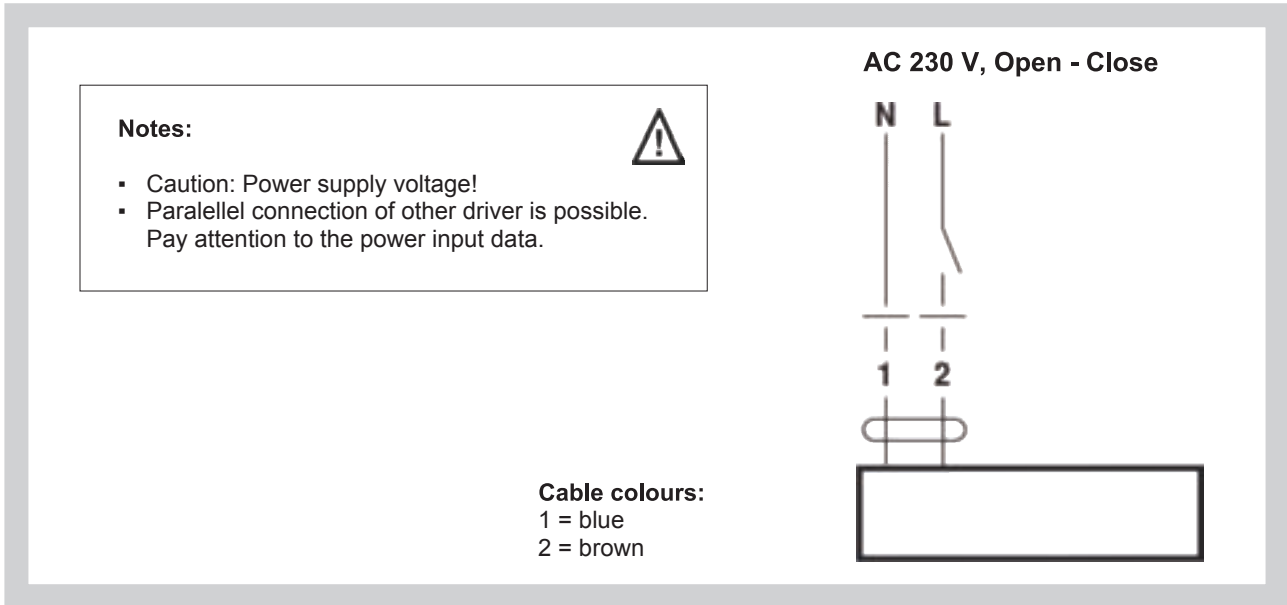


Fig. 14 Wiring diagram of servo actuators Belimo LF 24-S

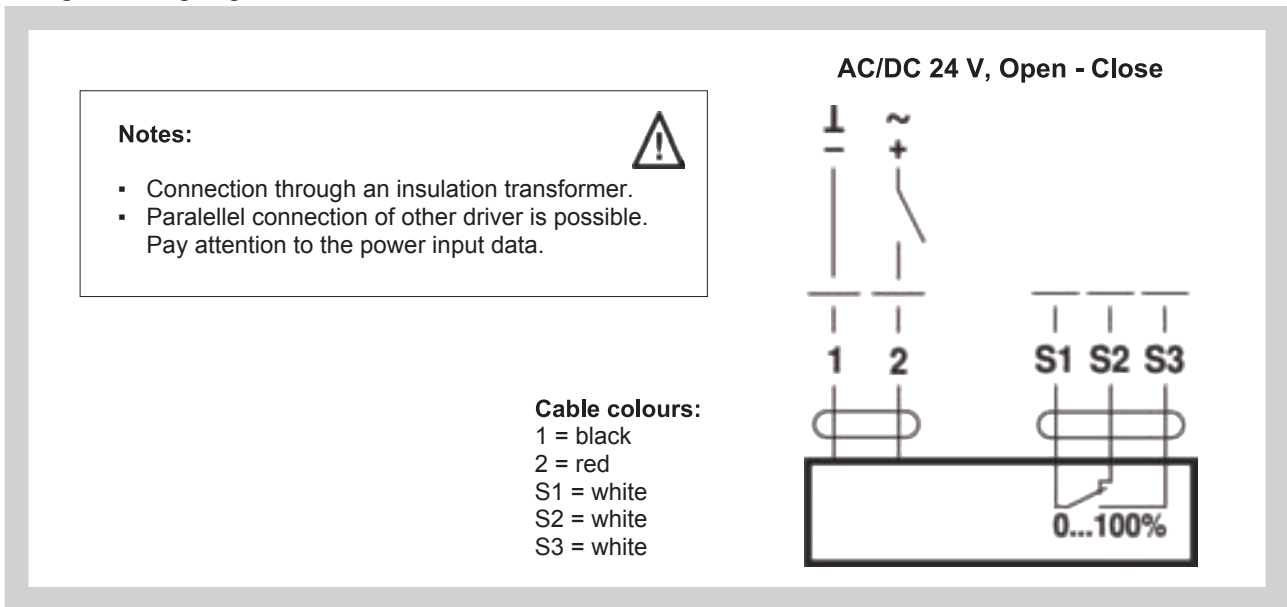


Fig. 15 Wiring diagram of servo actuators Belimo LF 230-S

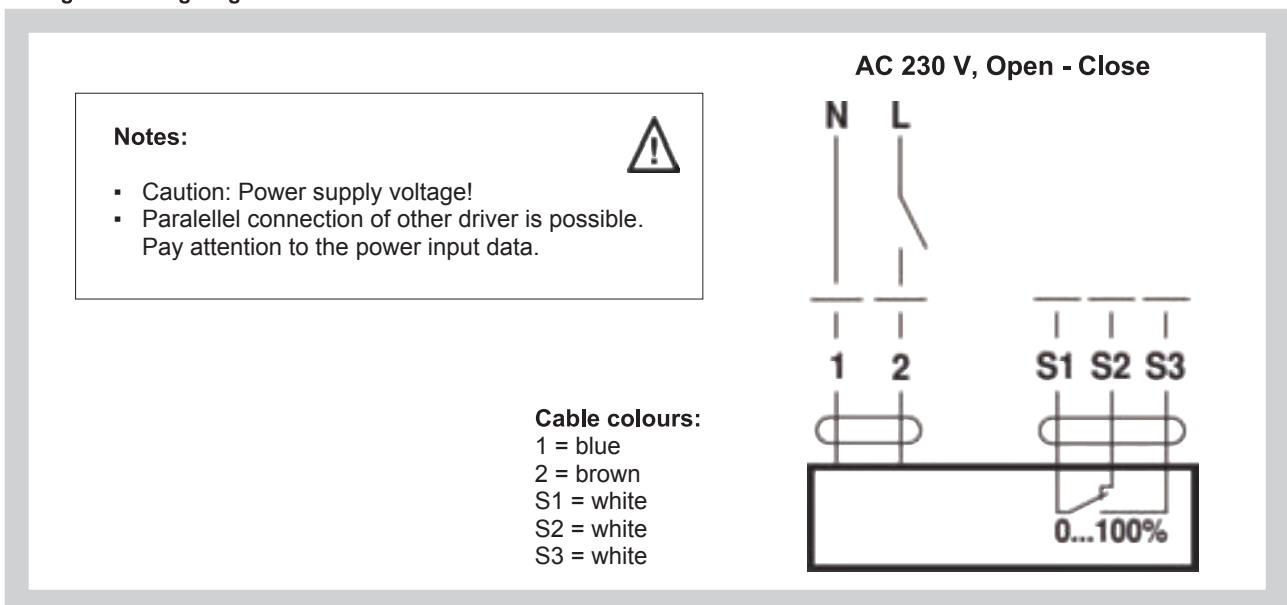


Fig. 16 Wiring diagram of servo actuators Belimo NFA, SFA

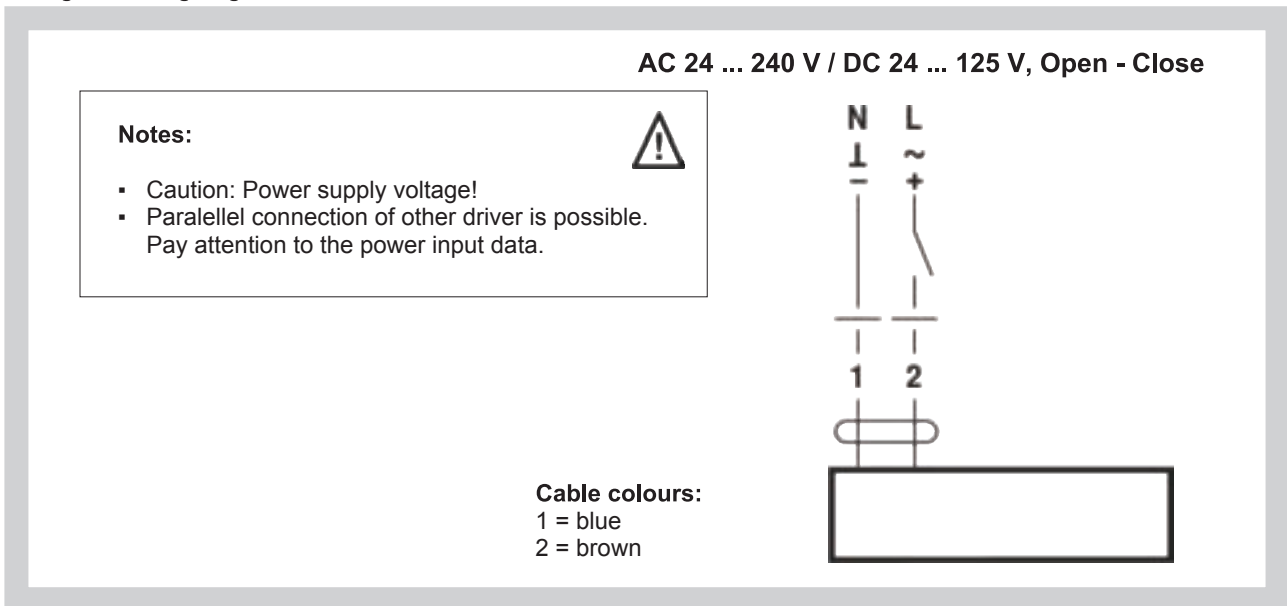


Fig. 17 Wiring diagram of servo actuators Belimo NF 24A-S2, SF 24A-S2

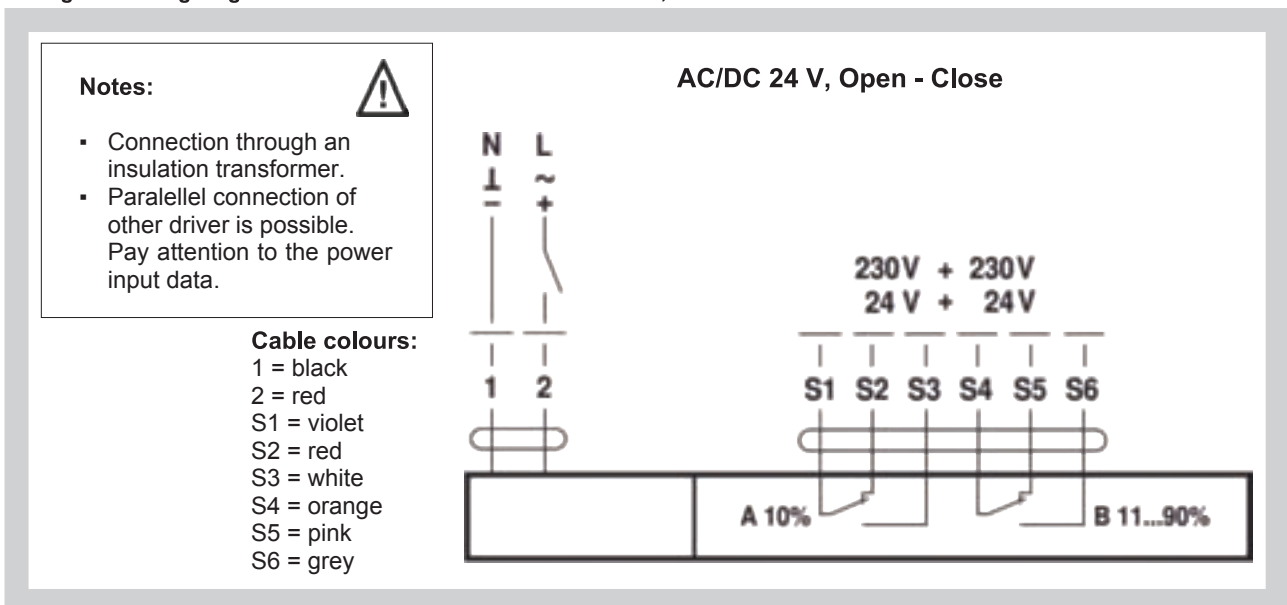
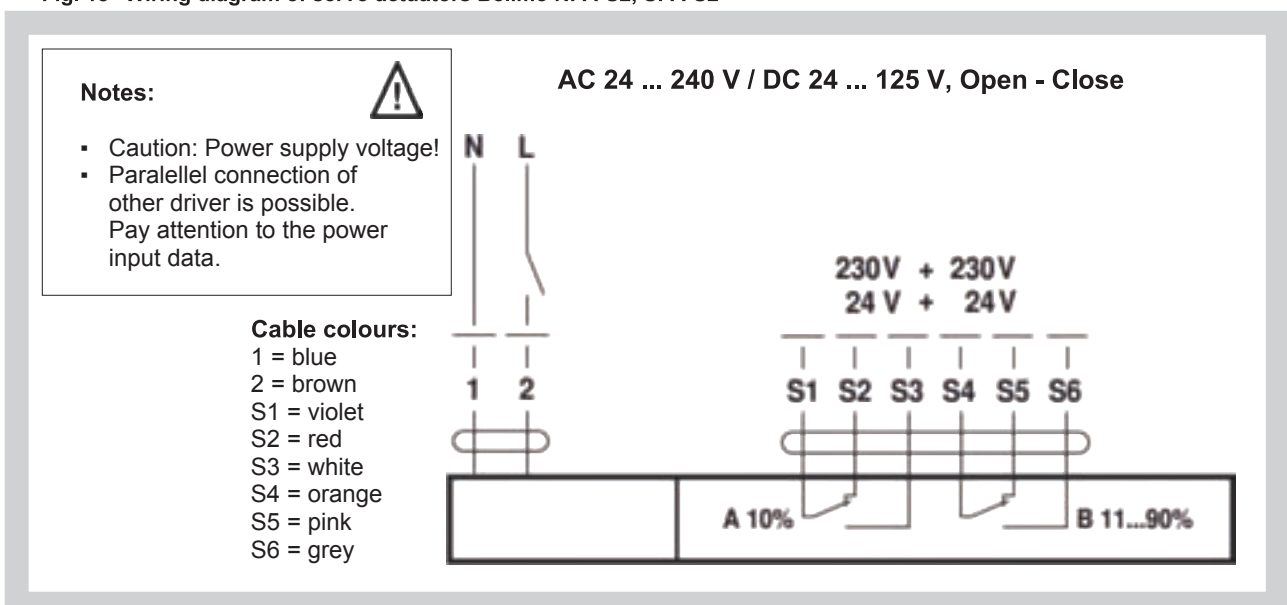


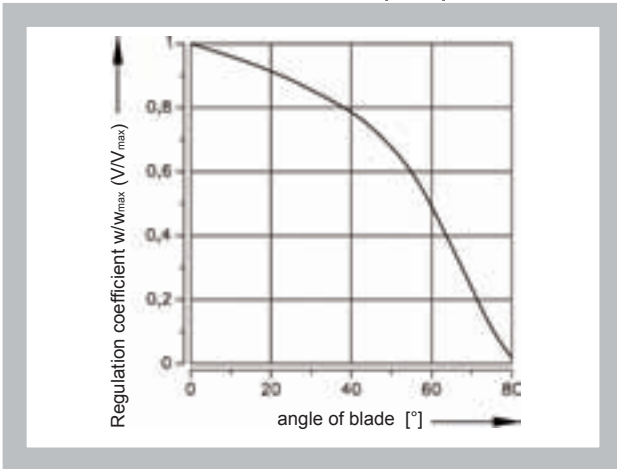
Fig. 18 Wiring diagram of servo actuators Belimo NFA-S2, SFA-S2



**7. Pressure lost, air flow characteristic**

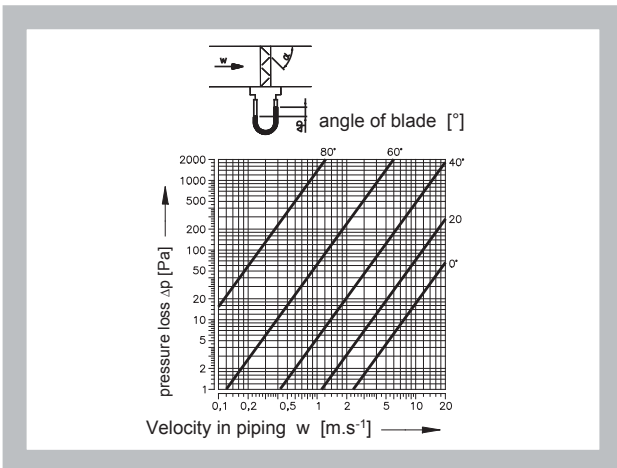
**7.1. Air flow characteristic**

**Chart 7.1.1. Flow characteristic for constant pressure difference at the damper  $\Delta p = \text{konst.} = 40 \text{ Pa}$**

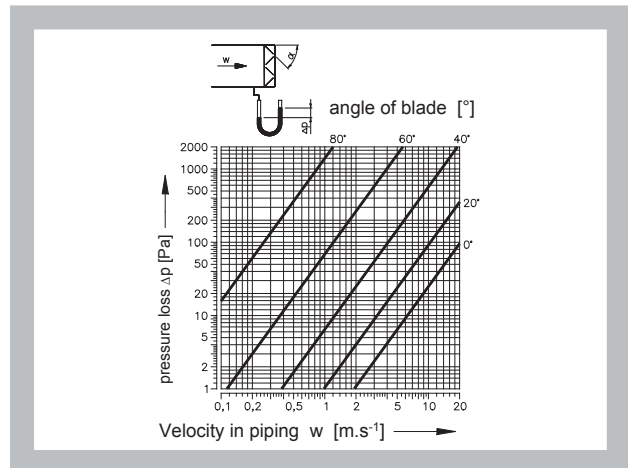


**7.2. Pressure lost depending on the angle of damper blade**

**Chart 7.2.1. Regulation damper inserted into the duct**

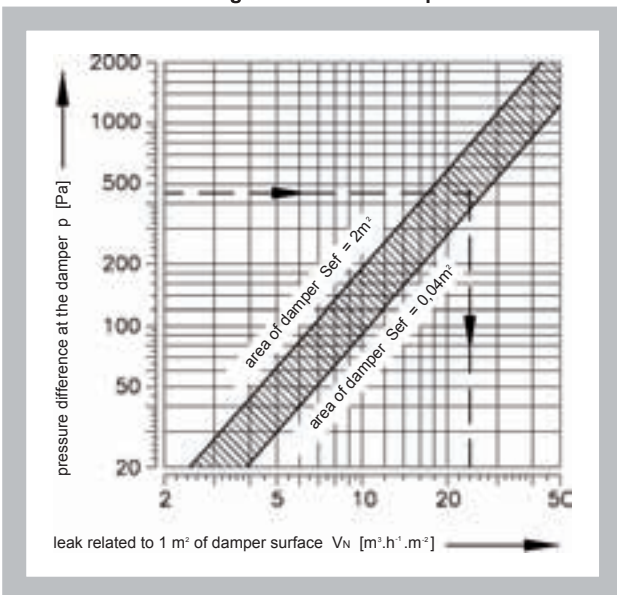


**Chart 7.2.2. Regulation damper attached to the end of the duct**



**7.3. Tightness of the dampers**

**Chart 7.3.1. Tightness of the dampers**



$$\dot{V}_{NK} = \dot{V}_N * S_{ef}$$

- $\dot{V}$  [m³.h⁻¹] volumetric airflow
- $w$  [m.s⁻¹] velocity of air flow
- $p$  [Pa] pressure difference at the damper
- $S_{ef}$  [m²] effective area of damper
- $\Delta p$  [Pa] pressure lost at  $\rho = 1,2 \text{ kg.m}^{-3}$
- $\alpha$  [°] angle of blade
- $\dot{V}_N$  [m³.h⁻¹.m⁻²] leak related to 1 m² of damper surface
- $\dot{V}_{NK}$  [m³.h⁻¹] leak of damper

8. Noise data

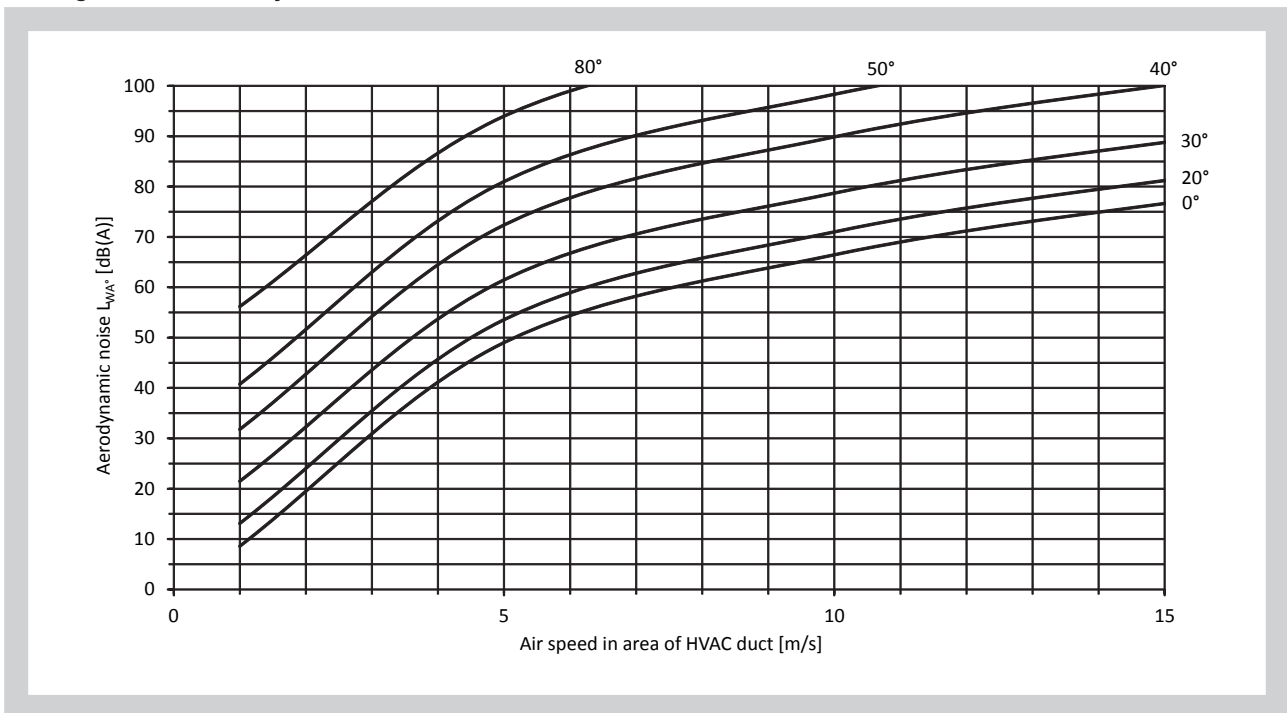
8.1. Aerodynamic noise from airflow controller is mentioned in Table. 8.1.1.

$$L_{WA} = L_{WA^\circ} + K_A$$

Tab. 8.1.1. Correction

Area of damper A x B [m²]	0,04	0,06	0,1	0,2	0,4	0,6	1	2	4	8
Factor K [dB]	-13	-12	-10	-8	-4	-2	1	3	6	9

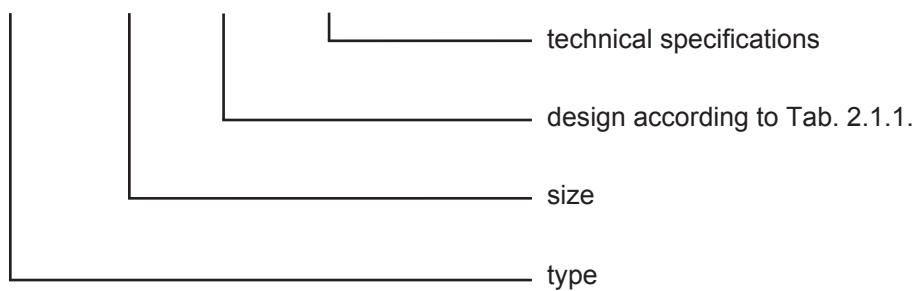
Diagram 8.1.1. Aerodynamic noise



IV. ORDERING INFORMATION

9. Ordering key

**RKTM 500x400 -.45 TPM 012/00**



## V. MATERIAL, FINISHING

### 10. Material

- 10.1. The frame, blades and actuator are made of zinc-plated steel sheet, the pins of the damper are made of plastic. (on request can be supplied design with steel pins).
- 10.2. The air tight seal at the perimeter of the blade is made of silicone.
- 10.3. The damper has no other surface treatment.

## VI. INSPECTION, TESTING

### 11. Inspection

- 11.1. Dimensions are checked using regular rulers according to the standard applicable to dimensions without defined tolerances used in the air conditioning trade.
- 11.2. Intraoperational inspections of the parts and main dimensions according to the drawing documentation are performed.

### 12. Testing

- 12.1. After assembly, the operation of the blade and of electrical actuators is performed.

## VII. PACKING, TRANSPORT, STORAGE

### 13. Logistical data

- 13.1. The delivery includes a complete damper including the control mechanism.
- 13.2. The dampers are transported as bulk cargo, using suitable covered means of transport. When agreed upon with the manufacturer, the dampers can be loaded onto pallets or wooden crates. Dampers must be protected from mechanical damage during transport and storage. If packing is used, it is non-returnable and its price is not included in the price of the damper.
- 13.3. If not otherwise agreed, the handover is considered when the goods are forwarded to the carrier.
- 13.4. The dampers must be stored in the indoor environment without any aggressive vapours, gases or dust. Indoor temperature must be in the range from -5°C to +40°C and maximum relative humidity 80%. Dampers must be protected against mechanical damages when transported and manipulated.

## VIII. ASSEMBLY

### 14. Assembly

- 14.1. The assembly consists of installation of the damper into the air duct, with connection of optional servo actuator to the mains.

MANDÍK, a.s.  
Dobříšská 550  
26724 Hostomice  
Czech Republic  
Tel.: +420 311 706 706  
E-Mail: [mandik@mandik.cz](mailto:mandik@mandik.cz)  
[www.mandik.com](http://www.mandik.com)

---

The producer reserves the right for innovations of the product. For actual product information see  
[www.mandik.com](http://www.mandik.com)