

**CHARACTERISTICS:**

Linear single slot diffusers standard version matt black with deflector, without frame for hidden installation, for wall or ceiling installation. DLFLDW special finish RAL 9016.

MATERIAL:

Extruded anodised aluminum diffuser painted RAL9005 with plastic deflector RAL 9005. Plenum box in galvanized steel with circular connection in plastic material and optional external insulation in polyethylene sp. 6 mm.

OPERATION:





Ceiling or wall installation for air supply and return. Possibility of frontal throw and lateral throw with Coanda effect.

FIXING:

Bracketing on the wall or floor using brackets placed on the plenum. Support seats of the wall or floor in plasterboard made on the same diffuser.

ACCESSORIES:

Sliding damper. Equalizer.

								
LUNGHEZZA LENGTH	DLFL10	DLFL20	DLFL30	DLFL40	PDLFL	PDLFLI	PDLFLEQ	PDLFLIEQ
mm*	A	A	A	A	A	A	A	A
600	36,12	38,98	39,80	42,66	73,43	92,78	85,95	110,04
800	40,88	44,71	45,78	49,61	87,10	111,74	104,16	128,81
1000	45,66	50,43	51,79	56,56	91,03	119,82	111,90	141,86
1200	60,64	66,36	68,00	73,73	94,91	130,19	119,95	155,22
1500	67,81	74,95	77,00	84,15	124,45	167,69	155,74	198,98
2000	79,73	89,27	91,99	101,52	144,09	197,75	185,80	242,32

Let op: bovenstaande prijzen zijn in € bruto, excl. 21% BTW; vraag Pairedirect voor een netto aanbieding!

N.B. The lengths are actual neck sizes

Diffuser only available with Brofer plenum box**MODELLI - MODELS:**

DLFL10: Diffusore standard (1) - Standard diffuser

DLFL20: Diffusore con alette deflettrici (1) + (2) - Diffuser with deflectors (1) + (2)

DLFL30: Diffusore con serranda a scorrimento (1) + (3) - Diffuser with sliding control damper (1) + (3)

DLFL40: Diffusore con alette deflettrici e serranda a scorrimento (1) + (2) + (3) - Diffuser with sliding control damper and deflectors (1) + (2) + (3)

PDLFL: Plenum non isolato - Not insulated plenum box

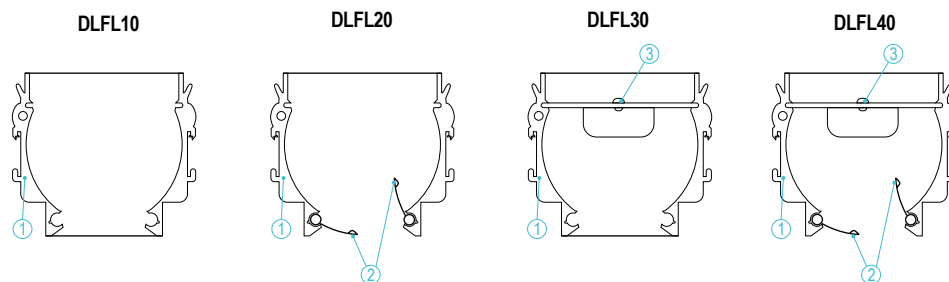
PDLFLI: Plenum isolato - Insolated plenum box

PDLFLEQ: Plenum non isolato con equalizzatore - Not insulated plenum box with equalizer

PDLFLIEQ: Plenum isolato con equalizzatore - Insolated plenum box with equalizer

Plenum fornito non assemblato al diffusore. Nel caso fornitura assemblato +5% su prezzo plenum.





Plenum box supplied not assembled to the diffuser. In the case of assembled supply +5% on plenum box price.

VERSIONI - VERSIONS

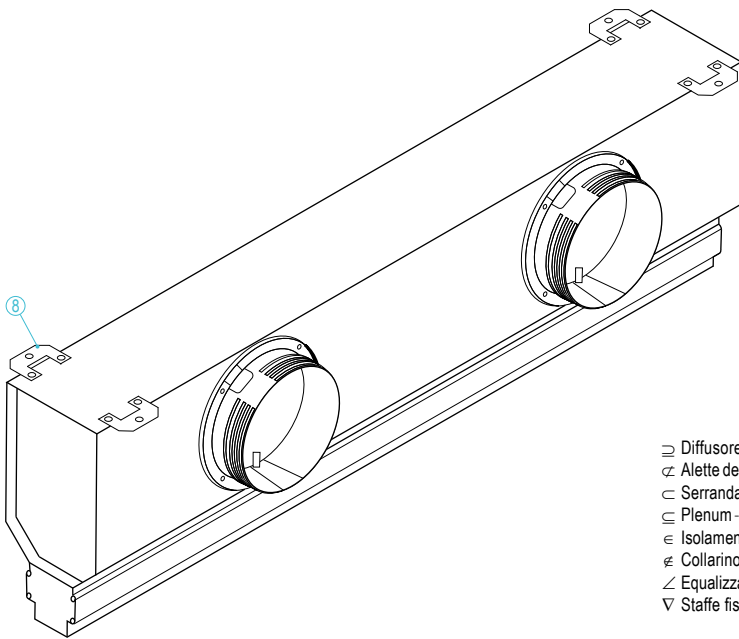
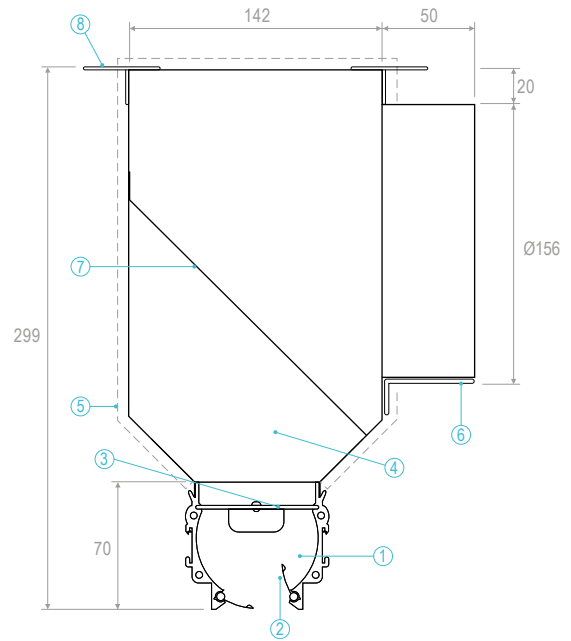
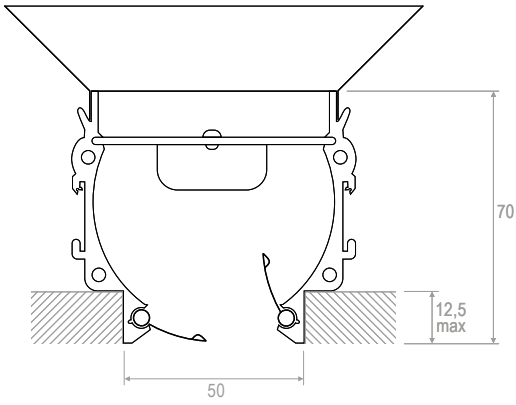
☐ Diffusore - Diffuser

⌘ Alette deflettrici - Deflectors

⌘ Serranda a scorrimento - Sliding damper

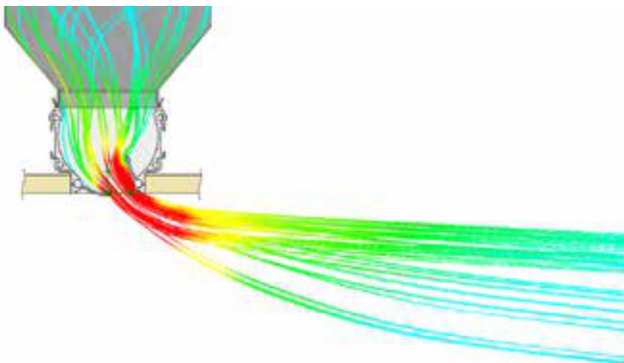
				
LUNGHEZZA LENGTH	DLFLDW10	DLFLDW20	DLFLDW30	DLFLDW40
mm*	A	A	A	A
600	46,95	50,67	51,74	55,46
800	53,14	58,12	59,51	64,49
1000	59,36	65,56	67,32	73,52
1200	78,83	86,27	88,40	95,84
1500	88,15	97,43	100,10	109,39
2000	103,65	116,05	119,59	131,98

Let op: bovenstaande prijzen zijn in € bruto, excl. 21% BTW; vraag Pairedirect voor een netto aanbieding!



- ⊃ Diffusore - Diffuser
- ∠ Alette deflettrici - Deflectors
- ⊂ Serranda a scorrimento - Sliding damper
- ⊆ Plenum - Plenum box
- ⊆ Isolamento plenum - Plenum box insulation
- ⊆ Collarino - Spigot
- ∠ Equalizzatore - Equalizer
- ∇ Staffe fissaggio - Fixing brackets

LANCIO ORIZZONTALE CON EFFETTO COANDA
HORIZONTAL THROW WITH COANDA EFFECT



LANCIO VERTICALE
VERTICAL THROW



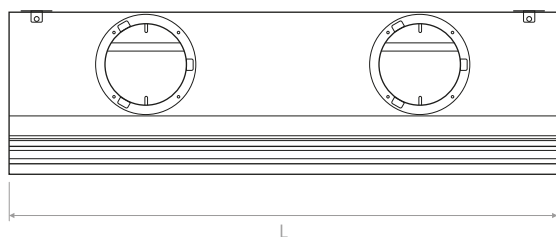
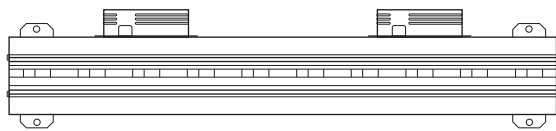


TABELLA DI SELEZIONE - SELECTION TABLE

Modello - Model	A_v [m ²]	Q [m ³ /h]		L_{WA} [dB(A)]		$X_{(0,25)}$ [m]		Dp_1^* [Pa]	
		min	max	min	max	min	max	min	max
DLFL 1000	0,01715	125	430	34	48	5,68	15,36	10	50

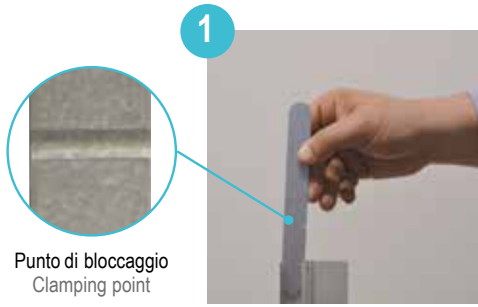
*senza equalizzatore e serranda completamente aperta - without equalizer and calibration damper completely open

DISEGNI - DRAWINGS



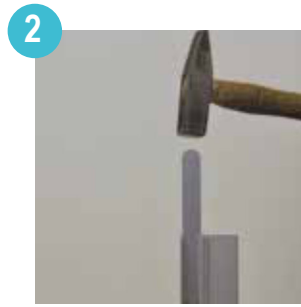
PLENUM - PLENUM BOXES

PDL	
LUNGHEZZA mm LENGHT mm	Ø - N. COLLARI - Ø - N. SPIGOTS
mm	
600	156 - 1
800	156 - 2
1000	156 - 2
1200	156 - 2
1500	156 - 3
2000	156 - 4



Punto di bloccaggio
Clamping point

1
Inserire la staffa nel profilo nel senso indicato.
Insert the bracket into the profile in the direction indicated.



2
Inserire la staffa sino a far penetrare di 10/15 mm il punto di bloccaggio.
Insert the bracket to penetrate up to 10/15 mm the clamping point.



3
Unire i 2 elementi.
Combine the 2 parts.

ACCESSORI - ACCESSORIES

		A
<p>CC Kit Continuità (2 pezzi) Kit continuity (2 pieces)</p>		<p>2,55</p>